

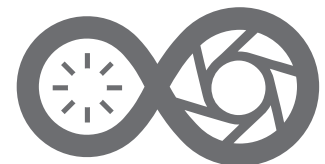


## User Manual

Snap AS01-PAR38NAE26 LED Bulb



LED + WIRELESS CAMERA



## Features

- Outdoor rated for year-round use
- Wi-Fi connected. No wires required
- HD streaming and recording
- Motion detection & intelligent alerts
- 140° ultra-wide angle camera
- Low light and nighttime visibility
- Cloud storage plans (optional)
- Two-way audio communication
- Notifications, scheduling & sharing

## Box Contents

- One Snap AS01-PAR38 Bulb
- Quick Start Guide
- User Manual
- Limited Written Express Warranty

## Product Specifications

- Power: 14 Watt (MAX)
- Luminance: 800 lumens
- Power Supply: 100-120V AC 50/60Hz
- Lamp Socket: E26
- Operating Temperature: -20° C ~ +40° C
- Store Temperature: -40° C ~ +70° C
- Ingress Protection: IP54 and 100% U.V.protection
- Dimensions: 5.7 in (H) x 4.8 in (Dia.)
- Weight: 1.3lb/604g (approx.)

## INSTALLATION INSTRUCTIONS

**ATTENTION** - SNAP BULBS REQUIRE CONSTANT POWER TO OPERATE.

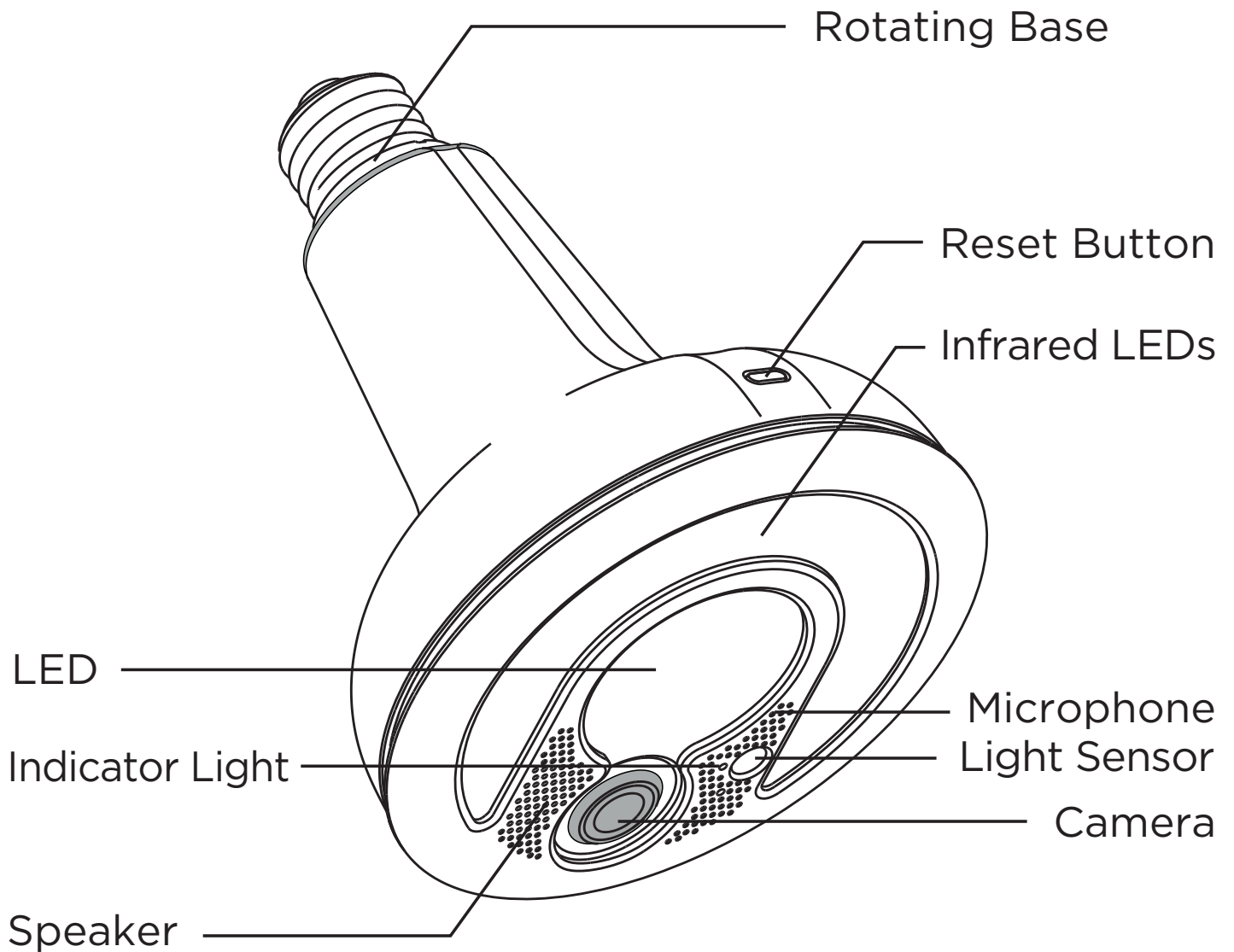
SNAP WILL NOT WORK PROPERLY IN FIXTURES WITH BUILT-IN MOTION SENSORS (CHANGE OR MODIFY THE FIXTURE TO ALLOW FOR A CONSTANT FLOW OF ELECTRICITY).

Step 1: Turn off the power to the fixture. Gently twist Snap clockwise into the socket until tight. Then rotate the bulb counter-clockwise until the camera lens is at the 6 o'clock position.

Step 2: First connect you iOS or Android device to the Wi-Fi network. Then download, install, and log into the Snap mobile app. Create a new account if you do not have one yet.

Step 3: Turn on the power to the fixture. Follow the step by step instructions in the app to add the bulb to your Snap account.

## Snap Components



### Factory Reset:

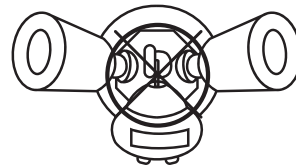
Press and hold the reset button until the LED light blinks and the indicator light turns red.

## ATTENTION

- ADDED WEIGHT OF THE DEVICE MAY CAUSE INSTABILITY OF A FREE-STANDING PORTABLE LUMINAIRE.
- USE ONLY WITH A PORTABLE TABLE LUMINAIRE THAT IS PROVIDED WITH A SHADE.
- THIS DEVICE IS NOT INTENDED FOR USE WITH EMERGENCY EXITS.
- DO NOT USE WITH DIMMERS.
- SNAP BULBS REQUIRE CONSTANT POWER TO OPERATE.
- FIXTURES WITH MOTION SENSORS MAY STOP THE FLOW OF ELECTRICITY TO THE SOCKET. EITHER CHANGE THE FIXTURE OR MODIFY THE EXISTING FIXTURE TO ALLOW FOR A CONSTANT FLOW OF ELECTRICITY TO THE BULB.
- THE EFFECTIVE RANGE OF YOUR WI-FI ROUTER MAY NOT BE SUFFICIENT TO REACH THE SNAP BULB. A WI-FI EXTENDER MAY BE REQUIRED TO INCREASE THE RANGE OF YOUR WI-FI NETWORK.
- WI-FI ROUTER FREQUENCY BANDS FROM 5150-5250MHZ CAN NOT BE USED OUTDOOR IN CANADA.
- VISIT [SENGLED.COM](http://SENGLED.COM) FOR MORE INFORMATION AND CUSTOMER SUPPORT.



**No Dimmers**



**No Motion Sensors**



**No Weak Wi-Fi**

## Federal Communications Commission (FCC) Interference Statement

This equipment has been tested and found to comply with the limits for a Class B digital device, pursuant to Part 15 of the FCC Rules.

These limits are designed to provide reasonable protection against harmful interference in a residential installation. This equipment generate, uses and can radiate radio frequency energy and, if not installed and used in accordance with the instructions, may cause harmful interference to radio communications.

However, there is no guarantee that interference will not occur in a particular installation. If this equipment does cause harmful interference to radio or television reception, which can be determined by turning the equipment off and on, the user is encouraged to try to correct the interference by one of the following measures:

- Reorient or relocate the receiving antenna.
- Increase the separation between the equipment and receiver.
- Connect the equipment into an outlet on a circuit different from that to which the receiver is connected.
- Consult the dealer or an experienced radio/TV technician for help.

This device complies with Part 15 of the FCC Rules. Operation is subject to the following two conditions:

(1) This device may not cause harmful interference, and (2) this device must accept any interference received, including interference that may cause undesired operation.  
FCC Caution: Any changes or modifications not expressly approved by the party responsible for compliance could void the user's authority to operate this equipment.

## RF exposure warning

This equipment complies with FCC radiation exposure limits set forth for an uncontrolled environment.

This equipment must be installed and operated in accordance with provided instructions and the antenna(s) used for this transmitter must be installed to provide a separation distance of at least 20 cm from all persons and must not be collocated or operating in conjunction with any other antenna or transmitter.

## IC Radiation Exposure Statement for Canada

This device complies with Industry Canada licence-exempt RSS standard(s). Operation is subject to the following two conditions: (1) this device may not cause interference, and (2) this device must accept any interference, including interference that may cause undesired operation of the device.

Le présent appareil est conforme aux CNR d'Industrie Canada applicables aux appareils radio exempts de licence. L'exploitation est autorisée aux deux conditions suivantes: (1) l'appareil ne doit pas produire de brouillage, et (2) l'utilisateur de l'appareil doit accepter tout brouillage radioélectrique subi, même si le brouillage est susceptible d'en compromettre le fonctionnement.

Under Industry Canada regulations, this radio transmitter may only operate using an antenna of a type and maximum (or lesser) gain approved for the transmitter by Industry Canada. To reduce potential radio interference to other users, the antenna type and its gain should be so chosen that the equivalent isotropically radiated power (e.i.r.p.) is not more than that necessary for successful communication.

Conformément à la réglementation d'Industrie Canada, le présent émetteur radio peut fonctionner avec une antenne d'un type et d'un gain maximal (ou inférieur) approuvé pour l'émetteur par Industrie Canada. Dans le but de réduire les risques de brouillage radioélectrique à l'intention des autres utilisateurs, il faut choisir le type d'antenne et son gain de sorte que la puissance isotrope rayonnée équivalente (p.i.r.e.) ne dépasse pas l'intensité nécessaire à l'établissement d'une communication satisfaisante. User manuals for transmitters equipped with detachable antennas shall also contain the following notice in a conspicuous location:

This radio transmitter (identify the device by certification number, or model number if Category II) has been approved by Industry Canada to operate with the antenna types listed below with the maximum permissible gain and required antenna impedance for each antenna type indicated. Antenna types not included in this list, having a gain greater than the maximum gain indicated for that type, are strictly prohibited for use with this device.

Le présent émetteur radio (identifier le dispositif par son numéro de certification ou son numéro de modèle s'il fait partie du matériel de catégorie I) a été approuvé par Industrie Canada pour fonctionner avec les types d'antenne énumérés ci-dessous et ayant un gain admissible maximal et l'impédance requise pour chaque type d'antenne. Les types d'antenne non inclus dans cette liste, ou dont le gain est supérieur au gain maximal indiqué, sont strictement interdits pour l'exploitation de l'émetteur.

### IMPORTANT NOTE:

Radiation Exposure Statement:

This equipment complies with "Industry Canada RSS-102 for radiation exposure limits set forth for an uncontrolled environment".

This equipment should be installed and operated with minimum distance 20cm between the radiator and your body.

© 2015 Sengled, Incorporated. All rights reserved. Sengled Snap is a trademark of Sengled, Incorporated, registered in the United States and other countries. Specifications are subject to change without notice. Other trademarks and trade names are the property of their respective owners.

sengled



sengled